



P/N: AST-CLW08-120WBCA1-acK

Note:

AST= Company name

CLW08 = Product series, LED Corn Light

12W = Rating Power

B = LED manufacturer, LUMILEDS

C = Cover type, Clear cover

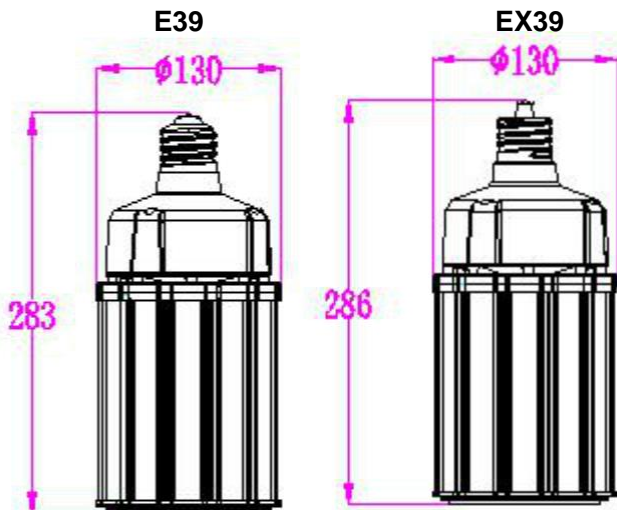
a=represent the lamp base type, can be "E" for E39,

"EX" for EX39,

cK=CCT, 30K=3000K, 35K=3500K,40K=4000K,

45K=4500K,50K=5000K, 57K=5700K

## DIMENSIONS



## ADVANTAGE

- UL cUL DLC certificate.
- E39 EX39 lamp base.
- Can be with clear or frosted cover.
- IP65 Waterproof Rating.
- Big heat sink, NO fan.
- Internal driver, input voltage AC100-277V.
- Meet 6KV surge immunity level.
- Sealant pouring for whole driver and lamp plastic housing.
- Long lifespan and good heat dissipation.
- Direct replacement for Metal Halide, easy installation.
- Fits many different fixtures to replace traditional lamps.

## APPLICATION

- Replacement Lamps for Outdoor Pole/Arm-mounted Decorative Luminaires (Type B)

## NOTICE FOR USER

- Please turn off power before install or change assembly parts.
- The input voltage and lamps should be matched, after connecting the power line, Please make sure the wiring section is insulated.
- Make sure to remove or bypass the ballast in the fixtures before install the lamps.
- Suitable for damp locations. Do not use with dimmers.
- Suitable for use in enclosed luminaires, min. lamp compartment dimensions: 440\*260\*260MM.
- No-professionals, must not install and disassemble the lamps.

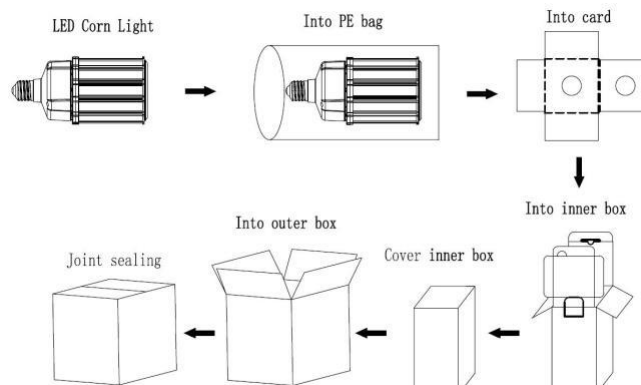
## SPECIFICATIONS

<b>OPTICAL</b>	Input Power	120W
	Lumen	12600-15000 LM
	Lumen Efficacy	105-125LM/W
	Color Temperature	3000K, 3500K, 4000K, 4500K, 5000K, 5700K
	CRI	>80
	Viewing Angle	Degree
<b>ELECTRICAL</b>	Input Voltage	100-277VAC 50/60Hz
	PF	≥0.9
	THD	≤20%
	Equivalent	200W CFL, 400W MHL/HPS/HID
<b>MATERIALS</b>	LED Brand	LUMILEDS
	LED Type	SMD2835
	LED QTY	378 PCS
	Housing	PC + Aluminum
	Housing Color	Any Colors
	Cover	Clear
	Waterproof Rating	IP64
<b>OTHERS</b>	Operating Temperature	-40°C TO 45°C
	Operating Humidity	20%-70% RH
	Storage Temperature	-40°C TO 80°C
	Storage Humidity	10%-75% RH
	Warranty Time	5 Years

## PACKAGE

	Size	Qty / Carton	Net Weight / Carton	Gross Weight / Carton
Inner box	135*135*315MM	1 PC	1.55 KG	1.65 KG
Outer box	420*285*335MM	6 PCS	9.3KG	10.9 KG

MM



## LIGHT DISTRIBUTION TESTING PARAMETERS

Remark: The testing data comes from the product in luminaires.

### Luminaire Property

Luminaire Manufacturer:  
Voltage: 119.5 V  
Power: 117.59 W

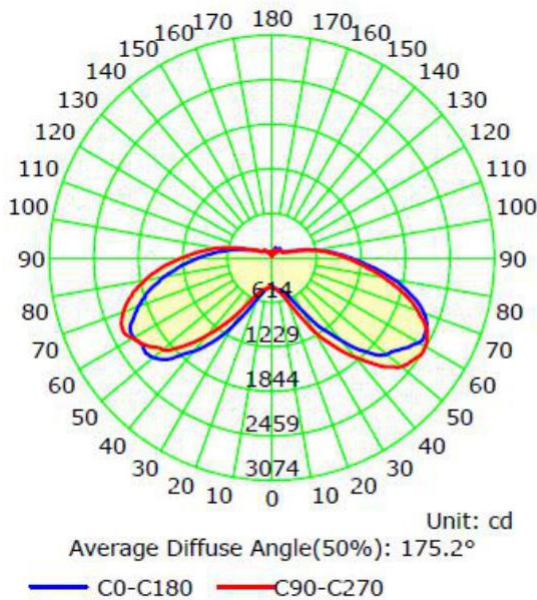
Current: 0.9819 A  
Power Factor: 0.998

### Photometric Results

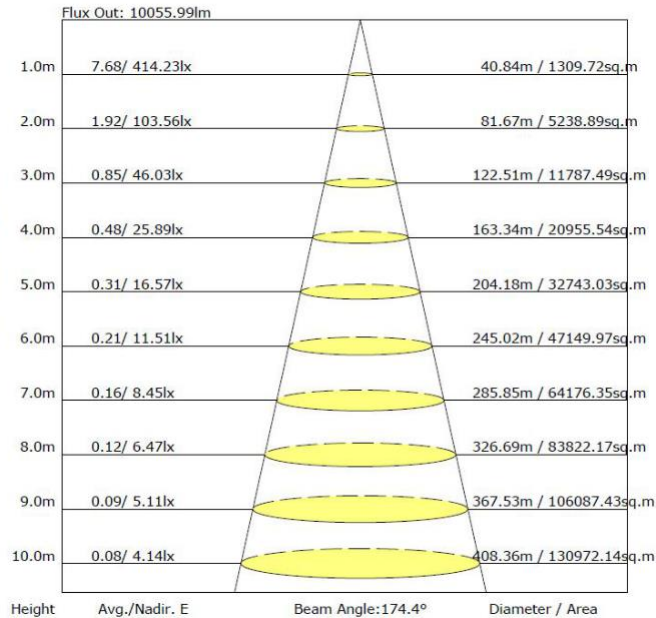
IES Classification: Type I  
Total Rated Lamp Lumens: 12779.4 lm  
Efficiency: 100%  
Upward Ratio: 18%  
Central Intensity: 414.23 cd  
Pos of Max. Intensity: H90 V58

Longitudinal Classification: Very Short  
Measurement Flux: 12779.4 lm  
Downward Ratio: 82%  
Luminaire Efficacy Rating (LER): 108.68  
Max. Intensity: 2459.94 cd

Luminous Intensity Distribution Curve



The Average Illuminance Effective Figure



## TROUBLE SHOOTINGS

Troubles	Check points
Flickering of the light	Turn off the power and turn on again in 3 minutes. If same phenomena occur, then call agencies.
Out of working	Please check the connection.